



## QT-LED

### LUMISHORE-RETRO

#### KEY FEATURES:



**Maintenance**  
Inside the hull



**Control Option**  
Single: On/Off- Dali-  
RGBW: DMX



**Driver**  
DC: Integral- AC: External



**Growth Resistant Lens**  
N.A



**Power**  
12-24 VDC- 110-240 VAC



**Installation**  
Inside Hull



**Test pressure -**  
N.A



**Hull Material**  
N.A



**Boat Size**  
N.A



**Lumens**  
up to 20,000 lumens



**Kelvin**  
6500



**Beam Angle**  
up to 110 Degrees



- The Through-hull-Lumishore Retro underwater Light LED heatsink can be fitted into existing through- hull lights, allowing an easy upgrade to our LED without changing the hull fitting or hauling the boat.
- The Retro LED is available with Blue or white LED on 12/24 vdc power and 10000 lumens or with white LED on 24vdc power only and 14000 lumens. An AC version is also available with single colours and maximum 20,000 Lumens or with DMX, RGBW.
- Installation requires no modification to the original housings.
- The retro fitting for dc and single colours is very easy and can totally transform an existing underwater lighting setup. If you wish to install our RGBW models, DMX cables will have to be installed. Please see electrical installation.



## LUMISHORE RETRO-DC

### THRU-HULL LED SERVICED FROM INSIDE

#### MOUNTING

|                     |            |
|---------------------|------------|
| Hull Material       | N.A        |
| Boat size           | N.A        |
| Beam Angle          | 100 degree |
| Installation Angles | N.A        |

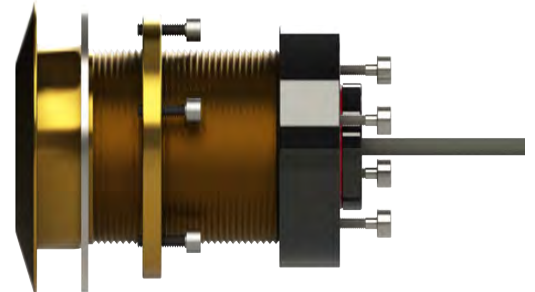
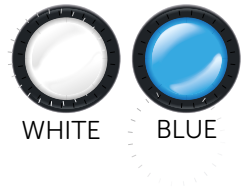
#### TECHNICAL

|                             |  |
|-----------------------------|--|
| Lumens                      | up to 14,000 lumens                                      |
| Kelvin                      | 6,500  |
| Typical LED Life Expectancy | 40,000 hrs   |
| Operating Voltage           | 10,000 lumens @ 12/24 VDC<br>14,000 lumens @ 24 VDC only |
| Driver Type                 | Integral   |
| Current/Amp Draw            | 10,000 lumens 7-3.5A<br>14,000 lumens 4 A                |
| Control Options             | On/Off   |
| Bonding                     | Locking Ring   |

#### PHYSICAL

|                        |                |
|------------------------|----------------|
| Hole Cut Out           | N.A            |
| Length of Fixture      | N.A            |
| Diameter of Fixture    | N.A            |
| Removal Space Required | 100mm (4")     |
| Total Weight           | 1KG (2.2lb)    |
| Cable Length           | 2 meters (6ft) |
| Max Hull Thickness     | N.A            |
| Face Material          | N.A            |

Colour:



VALID FROM MAY 2025

The Great Dunton Forge, London Road Dunton Green,  
Sevenoaks, Kent TN13 2TD UK  
T: +44 (0) 1732 455753  
E: [uwl@underwaterlights.com](mailto:uwl@underwaterlights.com)  
[UNDERWATERLIGHTS.COM](http://UNDERWATERLIGHTS.COM)

# QT-LED

## Lumishore-Retro-HP3/RGBW

### RETROFIT LED SERVICED FROM INSIDE

#### MOUNTING

|               |                       |
|---------------|-----------------------|
| Hull Material | N.A                   |
| Boat size     | N.A                   |
| Spacing       | N.A                   |
| Beam Angle    | HP3: 100°- RGBW: 110° |

#### TECHNICAL

|                             |  |
|-----------------------------|--|
| Lumens                      | Single colours-20,000/ RGBW-N/A                  |
| Kelvin                      | Single Colours-6500/RGBW-N/A                     |
| Typical LED Life Expectancy | 40,000 hrs                                       |
| Min-Max Operating Voltage   | 110-240VAC                                       |
| Current Amp Draw            | 1.4A-0.7A  |
| Driver Type                 | External   |
| Driver Output               | Single colour:55 VDC-2.8 A<br>RGBW: 96 VDC- 0.7A |
| Driver Watts                | Single colour: 150W<br>RGBW: 144 W               |
| Control                     | Single colours: On/Off or DALI<br>RGBW: DMX      |
| Bonding                     | Locking Ring                                     |
| EMF Earth Leakage           | 0.27mA/19.5mV                                    |

#### PHYSICAL

|                        |                    |
|------------------------|--------------------|
| Removal Space Required | 100mm (4")         |
| Total weight           | HP3 4KG - RGBW 5KG |
| Driver Dimensions      | 220x120x90mm       |
| Cable Lengths          | 6 meters up to 24m |
| Material Weldin        | N/A                |
| Glass Lens             | N/A                |

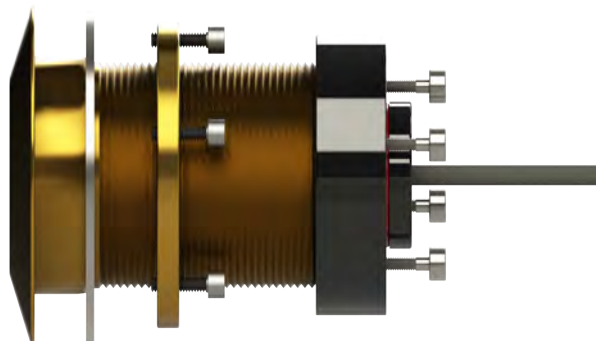
Colour:



WHITE

BLUE

RGBW



VALID FROM MAY 2025

The Great Dunton Forge, London Road Dunton Green,  
Sevenoaks, Kent TN13 2TD UK  
T: +44 (0) 1732 455753  
E: [uw@underwaterlights.com](mailto:uw@underwaterlights.com)  
[UNDERWATERLIGHTS.COM](http://UNDERWATERLIGHTS.COM)

**UWL**  
The art of superyacht lighting

VAT NO: 5564425 31  
Registered in England No: 2348038

©2025 Underwater Lights Limited All Rights Reserved.  
Underwater lights limited reserves the right to change specifications without notice.